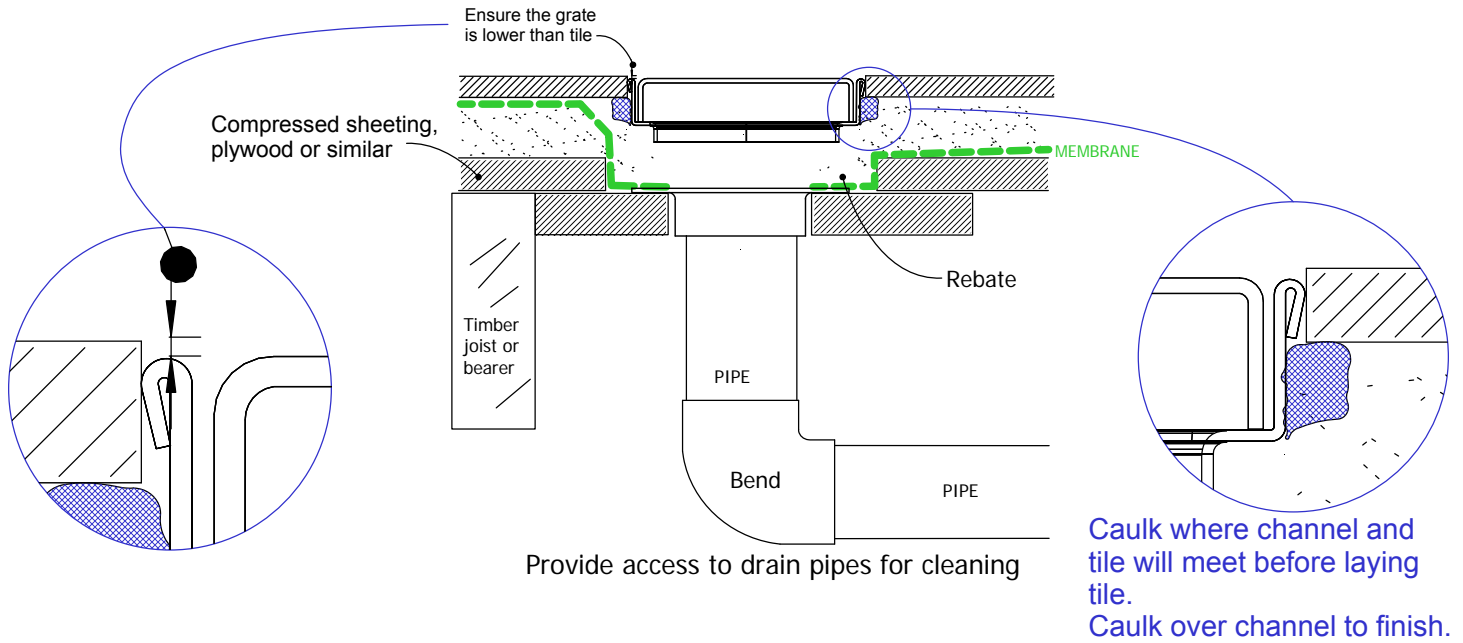


100i20 MTL & CO TIMBER FLOOR/DECK

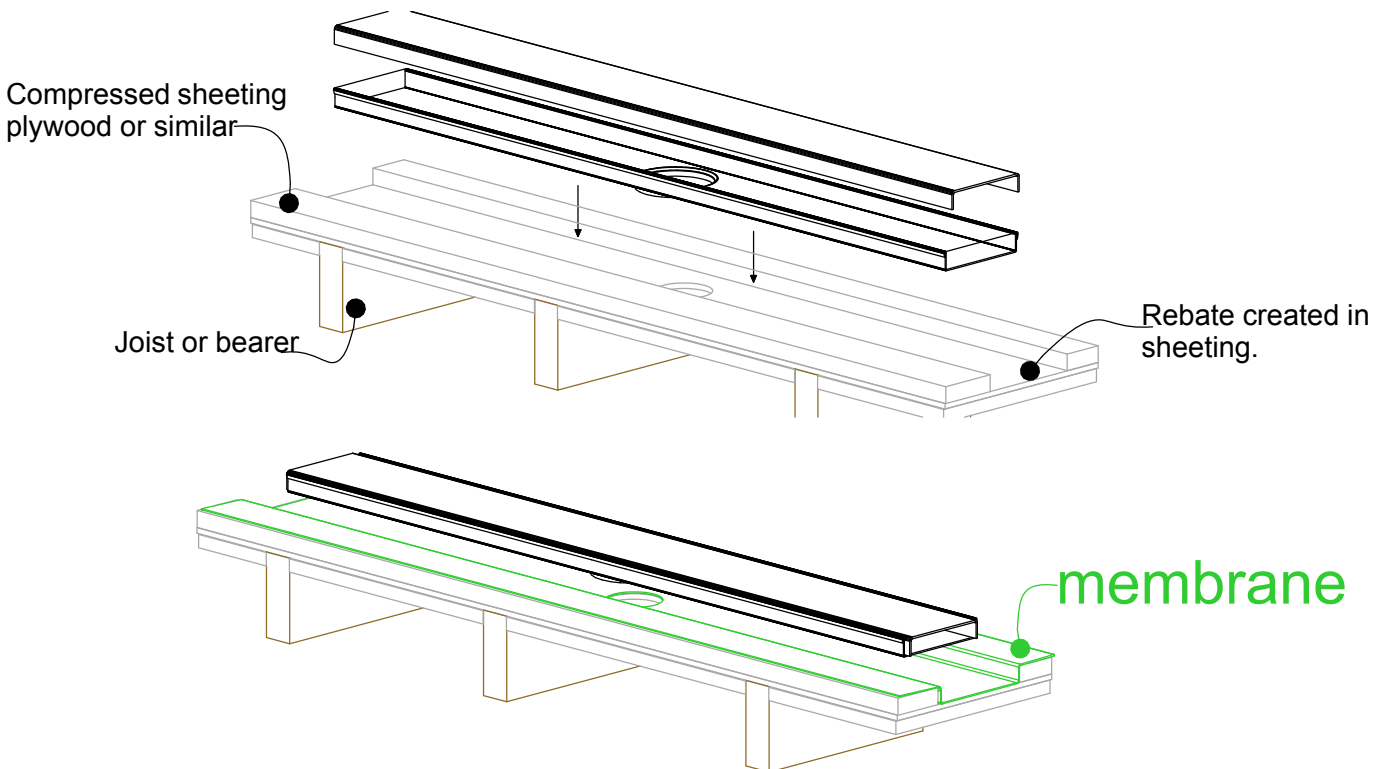


For 100ARi20MTL, 100ARiCO20, 100MNDi20MTL, 100MNDiCO20,
 100PSi20MTL, 100PSi20CO, 100TRi20MTL, 100TRiCO20,
 100PSSi20MTL, 100PASi20MTL

When 100i20 MTL or CO is running parallel to joist/bearer



When 100i20 MTL or CO is running perpendicular to joist/bearer



NOTE: For exterior application allow for expansion of 1mm per metre by using quality suitable flexible sealant on channel joins.

